

Picture of 2 persons

HTPA16x16d

Infrared Thermopile Array Sensors for Remote Temperature Measurement and Imaging Applications

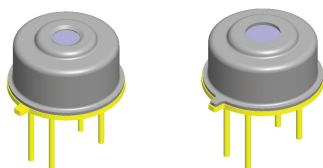
The HTPA16x16d is an infrared array sensor with a resolution of 16x16 pixel in a TO39 housing.

Due to the digital I²C interface only 4 pins are needed. It has a built in EEPROM to store all calibration data and a 16-bit ADC. The speed can be set internally via the sensor clock and ADC-resolution between 40 Hz (highest resolution) and 70 Hz (lower resolution).

Available Optics

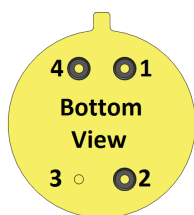
Optic	L1.6 [Si]	L2.1 [Si]
FoV [°]	54	45
Length of cap [mm]	4.3	4.45
F-number	0.8	0.8

Other optics are available upon request.



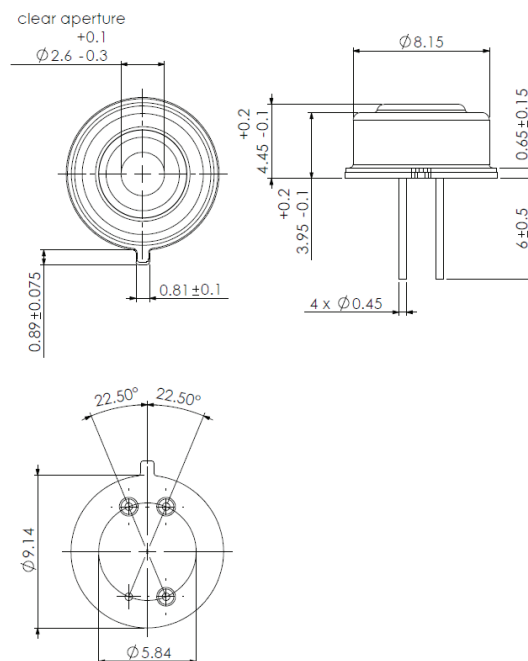
Pin Configuration

Pin	Function
1	Clock (I ² C)
2	3.3 V Supply
3	Ground
4	SDA (I ² C)



Dimensions

HTPA16x16L2.1,TO39 housing



Characteristics

Parameter	Value	Tolerance	Unit
Supply voltage (DC)	3.3	+ 0.3/-0.0	V
Current consumption	3.5	± 1.0	mA
Clock frequency (Sensor)	5	± 3	MHz
Ambient temperature range	-20 to 85		°C
Object temperature range	-20 to >1000		°C
Framerate (full frame)	2 to 70		Hz
Framerate (half frame)	8 to 140		Hz
NETD	160		mK@1Hz